

## Vegetable Slicer Cutter Slicer - 4.5 QT - Variable Speed

ITEM # \_\_\_\_\_  
 MODEL # \_\_\_\_\_  
 NAME # \_\_\_\_\_  
 SIS # \_\_\_\_\_  
 AIA # \_\_\_\_\_



**600518 (K45YVVU)**

Vertical Cutter/Mixer, bench-style, variable speed (300-3700 RPM). Supplied with 4.7 qt removable stainless steel bowl with clear BPA-free lid, equipped with scraper. Microtooth blade rotor and metal motor housing, 1-1/4 HP

### Short Form Specification

**Item No.** \_\_\_\_\_

Vertical Cutter/Mixer, bench-style, variable speed (300 - 2700 RPM). Supplied with 4.7 qt removable stainless steel bowl with clear BPA-free lid, equipped with scraper. Microtooth blade rotor and metal motor housing, 1-1/4 HP

### Main Features

- Emulsifier function (scraper) included as standard.
- All parts in contact with food are removable without the use of tools, completely dismountable and dishwasher safe.
- Pulse function to coarse chopping.
- Base fixed cover for a better handling.
- Capacity: cutter mixer working capacity from 1/3 ounce (100 g) to 4.4 lbs (2 kg), for 50-80 meals per service.

### Construction

- Asynchronous industrial motor with no brushes for high reliability and quiet functioning, stainless steel motor shaft.
- All blades (available on request) are made in stainless steel and dishwasher safe.
- Power: TRK45 - 1.3 HP.
- Stainless steel bowl has a high chimney to ensure high productivity also when processing liquids (75% of the nominal capacity).
- IPX5 (IP55) flat panel touch-control, watertight panel.
- Compact and portable design.
- Improved ventilation system to manage smoothly heavy duty use.
- Reinforced feet to withstand the repeated handling of the unit.
- Food processing at 10 variable speeds: 300-3700 rpm.

### Included Accessories

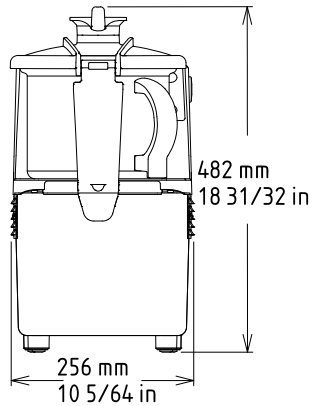
- 1 of Lid & bowl scraper, 4.7 quart, PNC 650099 for cutter/mixer
- 1 of Bowl, 4.7 quart, for cutter/ PNC 653589 mixer, stainless steel

### Optional Accessories

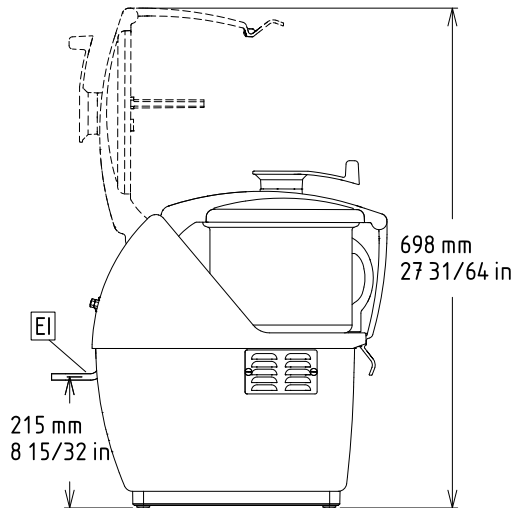
- Lid & bowl scraper, 4.7 quart, for PNC 650099  cutter/mixer
- EMULSIFYING KIT FOR TRK, K45 PNC 650100   
 VARIABLE SPEED, INCLUDING  
 4,5 LT SS BOWL, SMOOTH  
 EMULSION BLADE, LID, SCRAPER
- Bowl, 4.7 quart, for cutter/mixer, PNC 653589   
 stainless steel

**APPROVAL:** \_\_\_\_\_

Front

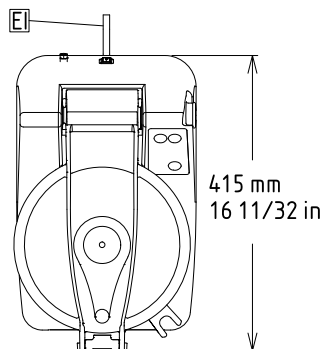


Side



EI = Electrical connection

Top


**Electric**

<b>Supply voltage:</b>	<b>600518 (K45YVVU)</b>	110-120 V/1N ph/60 Hz
<b>Total Watts:</b>		1 kW
<b>Plug type:</b>		USA NEMA 5-15P

**Key Information:**

<b>External dimensions, Width:</b>	10 1/16" (256 mm)
<b>External dimensions, Depth:</b>	16 5/16" (415 mm)
<b>External dimensions, Height:</b>	19" (482 mm)
<b>Shipping width:</b>	11 13/16" (300 mm)
<b>Shipping depth:</b>	23 5/8" (600 mm)
<b>Shipping height:</b>	21 5/8" (550 mm)
<b>Shipping weight:</b>	59 lbs (26.8 kg)